

Centre Number						Candidate Number				
Surname										
Other Names										
Candidate Signature										

For Examiner's Use	
Examiner's Initials	
Question	Mark
1	
2	
3	
4	
5	
6	
7	
8	
TOTAL	



General Certificate of Secondary Education
Higher Tier
June 2012

Science A
Unit Physics P1

PH1HP

H

Physics
Unit Physics P1

Wednesday 20 June 2012 9.00 am to 10.00 am

For this paper you must have:

- a ruler
 - the Physics Equations Sheet (enclosed).
- You may use a calculator.

Time allowed

- 1 hour

Instructions

- Use black ink or black ball-point pen.
- Fill in the boxes at the top of this page.
- Answer **all** questions.
- You must answer the questions in the spaces provided. Do not write outside the box around each page or on blank pages.
- Do all rough work in this book. Cross through any work you do not want to be marked.

Information

- The marks for questions are shown in brackets.
- The maximum mark for this paper is 60.
- You are expected to use a calculator where appropriate.
- You are reminded of the need for good English and clear presentation in your answers.
- Question 3(b) should be answered in continuous prose. In this question you will be marked on your ability to:
 - use good English
 - organise information clearly
 - use specialist vocabulary where appropriate.

Advice

- In all calculations, show clearly how you work out your answer.



J U N 1 2 P H 1 H P 0 1

Answer **all** questions in the spaces provided.

1 A wood burning stove is used to heat a room.



The fire in the stove uses wood as a fuel. The fire heats the matt black metal case of the stove.

1 (a) The air next to the stove is warmed by infrared radiation.

How does the design of the stove help to improve the rate of energy transfer by infrared radiation?

.....

.....

.....

.....

(2 marks)



1 (b) Burning 1 kg of wood transfers 15 MJ of energy to the stove. The stove then transfers 13.5 MJ of energy to the room.

Calculate the efficiency of the stove.

Use the correct equation from the Physics Equations Sheet.

Show clearly how you work out your answer.

.....
.....
.....

Efficiency =
(2 marks)

1 (c) Some of the energy from the burning wood is wasted as the hot gases leave the chimney and warm the air outside the house.

Name **one** other way energy is wasted by the stove.

.....
(1 mark)

1 (d) Some people heat their homes using electric heaters. Other people heat their homes using a wood burning stove.

Give **two** environmental advantages of using a wood burning stove to heat a home rather than heaters that use electricity generated from fossil fuels.

1
.....

2
.....

(2 marks)

Question 1 continues on the next page

Turn over ►



1 (e) The metal case of the stove gets hot when the fire is lit.

Here is some information about the stove.

Mass of metal case	100 kg
Starting temperature of metal case	20 °C
Final temperature of metal case	70 °C
Specific heat capacity of metal case	510 J/kg °C

Calculate the energy required to raise the temperature of the metal case to 70 °C.

Use the correct equation from the Physics Equations Sheet.

Show clearly how you work out your answer and give the unit.

.....

.....

.....

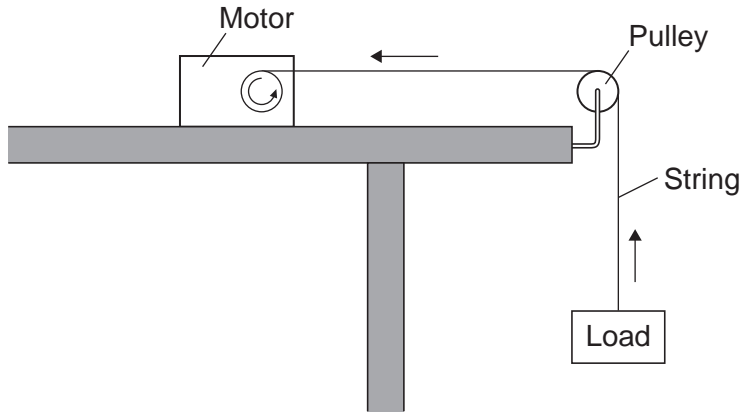
.....

Energy required =
(3 marks)

10



2 A student uses an electric motor to lift a load.



In the motor, the electrical energy is transferred into other types of energy. Some of this energy is useful and the rest of the energy is wasted.

2 (a) (i) Name the useful energy output from the electric motor.

.....
(1 mark)

2 (a) (ii) What eventually happens to the wasted energy?

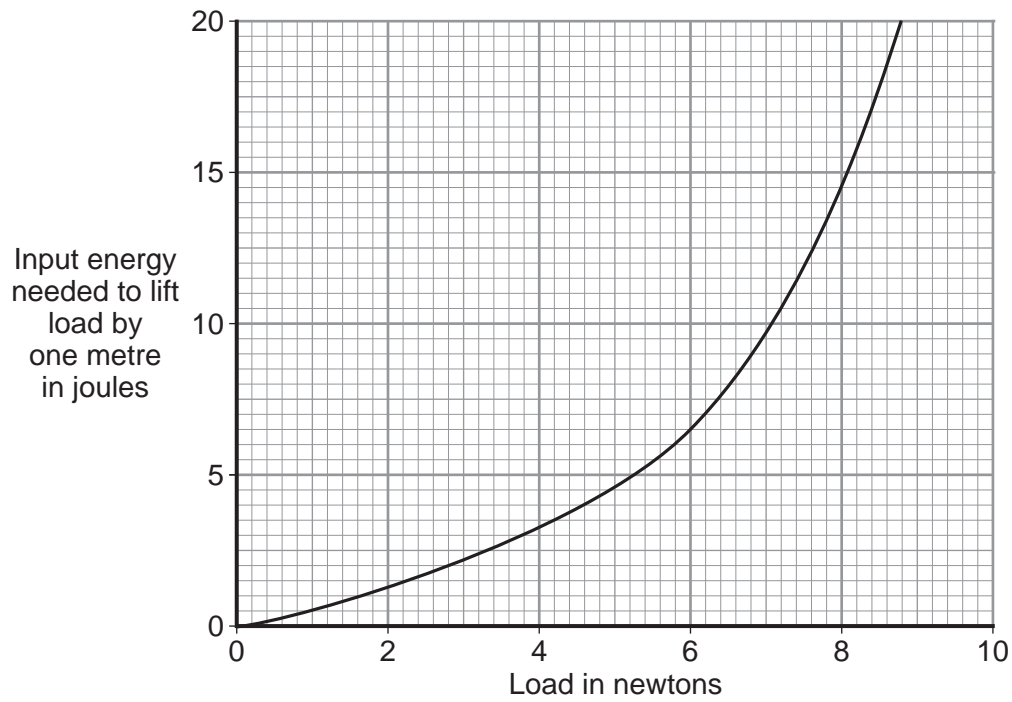
.....
.....
(1 mark)

Question 2 continues on the next page

Turn over ►



2 (b) The graph shows the input energy the motor needs to lift different loads by one metre.



What can you conclude from the graph about the relationship between the load lifted and the input energy needed?

.....

.....

.....

.....

(2 marks)



2 (c) A shop uses escalators to lift customers to different floor levels. The escalators use electric motors. When the shop is not busy some escalators are turned off.

A sign tells the customers that the escalators are turned off to save energy.



2 (c) (i) Each escalator has one motor with an average power of 4000W. The motor is turned on for an average of 8 hours each day, 6 days each week. Electricity costs 15 pence per kilowatt-hour.

Calculate the cost of the electricity used in an average week to run **one** escalator.

Use the correct equation from the Physics Equations Sheet.

Show clearly how you work out your answer.

.....

.....

.....

.....

Cost = pence
(3 marks)

2 (c) (ii) Give **one** environmental advantage to turning off electrical appliances when they are not being used.

.....

.....

(1 mark)

8

Turn over ►



3 (a) Geothermal energy and the energy of falling water are two resources used to generate electricity.

3 (a) (i) What is geothermal energy?

.....
.....

(1 mark)

3 (a) (ii) Hydroelectric systems generate electricity using the energy of falling water.

A pumped storage hydroelectric system can also be used as a way of storing energy for future use.

Explain how.

.....
.....
.....
.....
.....
.....

(2 marks)

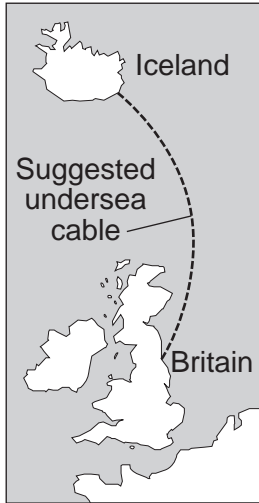
3 (b) *In this question you will be assessed on using good English, organising information clearly and using specialist terms where appropriate.*

Read the following extract from a newspaper.

Britain may be switched on by Iceland

Iceland is the only country in the world generating all of its electricity from a combination of geothermal and hydroelectric power stations. However, Iceland is using only a small fraction of its energy resources. It is estimated that using only these resources, the amount of electricity generated could be increased by up to four times.

To help supply the future demand for electricity in Britain, there are plans to build thousands of new offshore wind turbines. It has also been suggested that the National Grid in Britain could be linked to the electricity generating systems in Iceland. This would involve laying a 700 mile undersea electricity cable between Iceland and Britain.




Discuss the advantages and disadvantages of the plan to build thousands of offshore wind turbines around Britain **and** the suggested electricity power link between Britain and Iceland.

.....

.....

.....

.....

.....

.....

.....

.....

.....

.....

.....

.....

.....

.....

.....

.....

.....

.....

.....

.....

.....

.....

(6 marks)

9

Turn over for the next question

Turn over ►



There are no questions printed on this page

**DO NOT WRITE ON THIS PAGE
ANSWER IN THE SPACES PROVIDED**



4 Warm air inside a house contains water in the form of a gas. The water condenses onto cold surfaces such as windows. This leaves liquid water on the inside of the glass.

4 (a) Explain what happens to the particles when water changes from a gas to a liquid.

.....
.....
.....
.....

(2 marks)

4 (b) Many houses in the UK have double-glazed windows.

Section through double-glazed window



U-value = 2.8W/m²°C

Section through single-glazed window



U-value = 5.0W/m²°C

If the window is double-glazed rather than single-glazed there is less condensation on the inside of the glass.

Explain why.

.....
.....
.....
.....

(2 marks)

Question 4 continues on the next page

Turn over ►



- 4 (c)** Double glazing can be made using two pieces of normal glass with an air gap between them. Better insulating glass (Superglaze or G-type) can be used instead of normal glass. The size of the air gap can also be increased to improve insulation.

A company making double glazing provides some information about their products.

U-values for different types of double glazing

	Normal glass	Superglaze	G-type
6 mm air gap	3.1	2.7	2.6
12 mm air gap	2.8	2.2	2.0
16 mm air gap	2.7	2.0	1.8

For the same size window, under the same temperature conditions, the energy loss halves if the U-value is halved.

Cost of double glazing in £ per m²

	Normal glass	Superglaze	G-type
6 mm air gap	90	110	160
12 mm air gap	100	130	185
16 mm air gap	110	155	210



4 (c) (i) The data the double glazing company produced is checked and confirmed independently by other scientists.

Suggest why it is important to confirm the data independently.

.....
.....

(1 mark)

4 (c) (ii) A homeowner is going to replace his old single-glazed windows with new double-glazed windows.

Discuss the cost of fitting double glazing using better insulating glass compared with double glazing using normal glass.

Use the information given in the tables.

.....
.....
.....
.....
.....
.....
.....
.....
.....

(3 marks)

8

Turn over for the next question

Turn over ►



5 Radio waves and microwaves are two types of electromagnetic wave.

Both waves:

- can be used for communications
- travel at the same speed through air.

5 (a) Give **two** more properties that are the same for both radio waves and microwaves.

1

.....

2

.....

(2 marks)

5 (b) Some satellites are used to transmit television programmes. Signals are sent to, and transmitted from, the satellites using microwaves.

What is the property of microwaves that allows them to be used for satellite communications?

.....

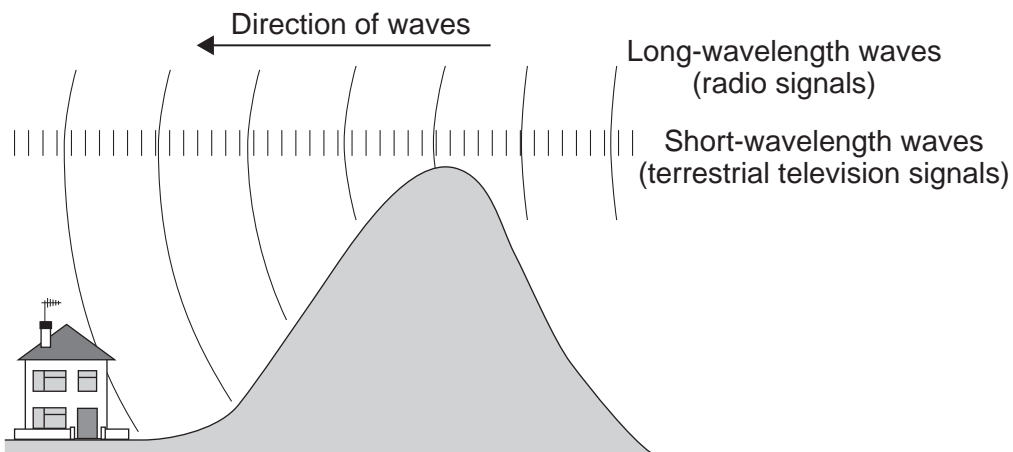
.....

(1 mark)

5 (c) Terrestrial television does not use satellites.

Terrestrial television signals and radio signals both use radio waves.

Radio signals are transmitted at a longer wavelength than terrestrial television signals.



In hilly areas it may be possible to receive radio signals but not receive terrestrial television signals.

Explain why.

.....

.....

.....

.....

.....

.....

(3 marks)

5 (d) Electromagnetic waves travel at a speed of 3.0×10^8 m/s.
A radio station transmits waves with a wavelength of 2.5×10^2 m.

Calculate the frequency of the radio waves.

Use the correct equation from the Physics Equations Sheet.

Show clearly how you work out your answer and give the unit.

.....

.....

.....

Frequency =

(3 marks)

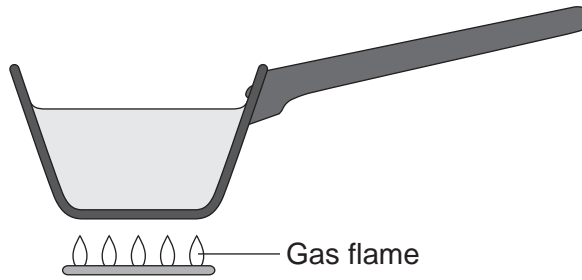
9

Turn over for the next question

Turn over ►



6 The diagram shows a metal pan being used to heat water.



Energy from the gas flame is transferred through the metal pan by conduction.

Explain the process of conduction through metals.

.....

.....

.....

.....

.....

.....

(4 marks)

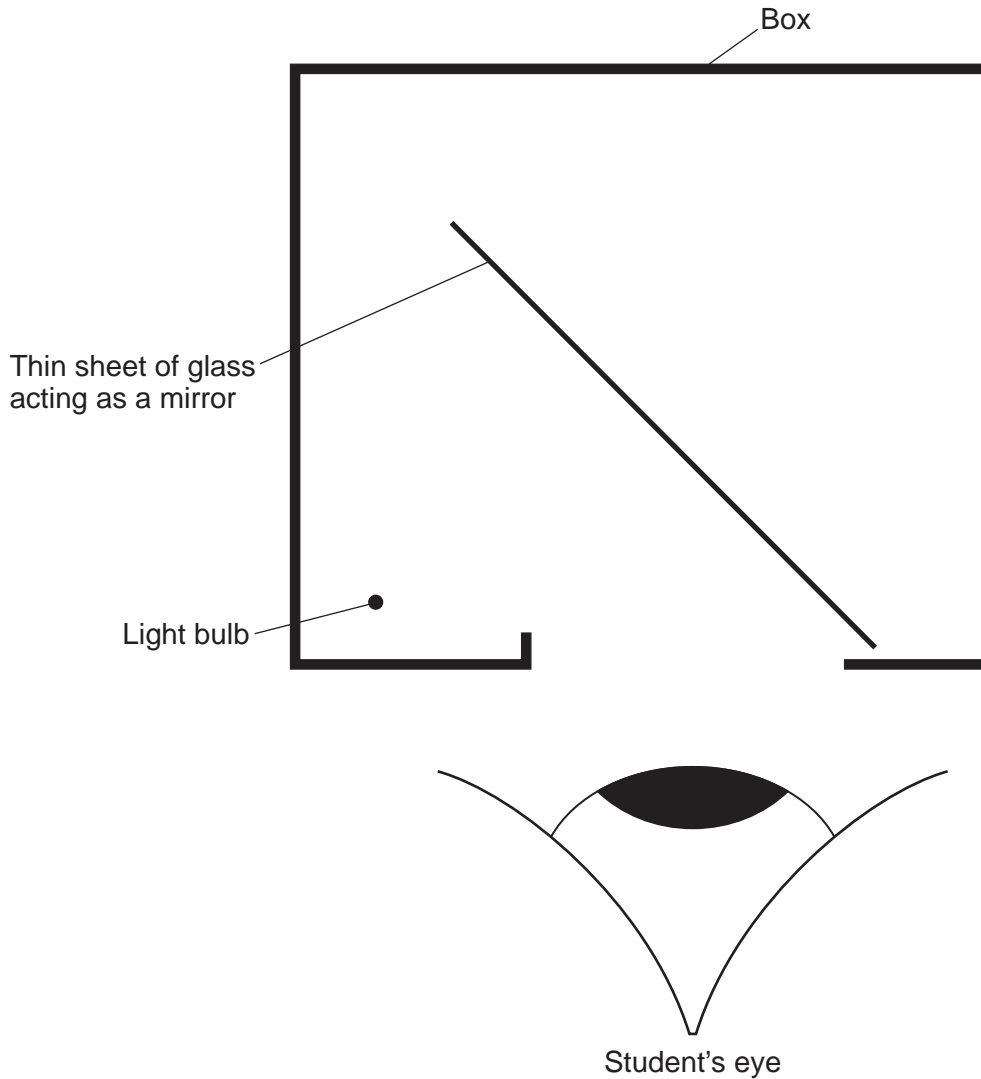
4



7 The diagram shows a model used to demonstrate an illusion known as ‘Pepper’s Ghost’.

A small light bulb and thin sheet of glass are put inside a box. The thin sheet of glass acts as a mirror. Although the light bulb is switched on, a student looking into the box cannot see the bulb. What the student does see is a virtual image of the bulb.

View from above



7 (a) Use a ruler to complete a ray diagram to show how the image of the light bulb is formed. Mark and label the position of the image. (4 marks)

7 (b) The image seen by the student is virtual.

Why?

.....

(1 mark)

5

Turn over ►



8 (a) The 'Big Bang' theory uses red-shift as evidence to explain the beginning of the Universe.

How does the red-shift from distant galaxies provide evidence for the beginning of the Universe?

.....
.....
.....
.....
.....
.....

(3 marks)

8 (b) Cosmic microwave background radiation (CMBR) is a type of electromagnetic radiation. CMBR fills the Universe. It was first discovered in 1965 by two astronomers called Penzias and Wilson.

8 (b) (i) What do scientists believe is the origin of CMBR?

.....
.....

(1 mark)

8 (b) (ii) Why was the discovery of CMBR so important to the scientists believing the 'Big Bang' theory to be correct?

.....
.....

(1 mark)

8 (b) (iii) How is the wavelength of CMBR likely to change, if at all, over the next billion years?

.....

Give a reason for your answer.

.....
.....

(2 marks)

END OF QUESTIONS

7



There are no questions printed on this page

**DO NOT WRITE ON THIS PAGE
ANSWER IN THE SPACES PROVIDED**



There are no questions printed on this page

**DO NOT WRITE ON THIS PAGE
ANSWER IN THE SPACES PROVIDED**

ACKNOWLEDGEMENT OF COPYRIGHT-HOLDERS AND PUBLISHERS

Question 1: Wood burning stove photo © Thinkstock

Question 4: Double-glazed and single-glazed window photos © Thinkstock

Question 5: Diffraction diagram © Steve Witney, My Revision Notes AQA GCSE Physics (for A* to C) 2011, reproduced by permission of Philip Allan Updates

