

Please check the examination details below before entering your candidate information

Candidate surname

Other names

**Pearson Edexcel
International GCSE**

Centre Number

--	--	--	--	--

Candidate Number

--	--	--	--	--

Time 2 hours 30 minutes

**Paper
reference**

4MB1/02

**Mathematics B
PAPER 2**



You must have: Ruler graduated in centimetres and millimetres, protractor, pair of compasses, pen, HB pencil, eraser, calculator. Tracing paper may be used.

Total Marks

Instructions

- Use **black** ink or ball-point pen.
- **Fill in the boxes** at the top of this page with your name, centre number and candidate number.
- Answer **all** questions.
- Answer the questions in the spaces provided – *there may be more space than you need.*
- **Calculators may be used.**

Information

- The total mark for this paper is 100.
- The marks for **each** question are shown in brackets – *use this as a guide as to how much time to spend on each question.*

Advice

- Read each question carefully before you start to answer it.
- Check your answers if you have time at the end.
- Without sufficient working, correct answers may be awarded no marks.
- Good luck with your examination.

Turn over ►

P66009A

©2021 Pearson Education Ltd.

1/1/1/1/



P 6 6 0 0 9 A 0 1 4 0



Pearson

Answer ALL TWELVE questions.

Write your answers in the spaces provided.

You must write down all the stages in your working.

1 The table gives the area, in km^2 , and the population of each of three countries in 2017

Country	Area (km^2)	Population
Greenland	2.166×10^6	5.617×10^4
Sri Lanka	6.561×10^4	2.144×10^7
China	9.597×10^6	1.368×10^9

(a) Write 5.617×10^4 as an ordinary number. (1)

(b) Calculate by how many people the population of China in 2017 was greater than the population of Sri Lanka in 2017

Give your answer in standard form. (2)

(c) Work out the number of people per km^2 for Greenland in 2017
Give your answer, to 3 significant figures, in standard form. (2)

.....

.....

.....

.....

.....

.....

.....

.....

.....

.....

.....

.....

.....

.....

.....

.....

.....

.....

.....

.....

.....

.....

.....

DO NOT WRITE IN THIS AREA

DO NOT WRITE IN THIS AREA

DO NOT WRITE IN THIS AREA



Question 1 continued

DO NOT WRITE IN THIS AREA

DO NOT WRITE IN THIS AREA

DO NOT WRITE IN THIS AREA

Area with horizontal dotted lines for writing.

(Total for Question 1 is 5 marks)



2 The curve C has equation

$$y = x^3 + ax^2 + bx + 8$$

where a and b are constants.

The gradient of C at the point $(2, 6)$ is 9.8

Find the value of a and the value of b .

Show clear algebraic working.

(5)

DO NOT WRITE IN THIS AREA

DO NOT WRITE IN THIS AREA

DO NOT WRITE IN THIS AREA



Question 2 continued

DO NOT WRITE IN THIS AREA

DO NOT WRITE IN THIS AREA

DO NOT WRITE IN THIS AREA

Area with horizontal dotted lines for writing.

(Total for Question 2 is 5 marks)

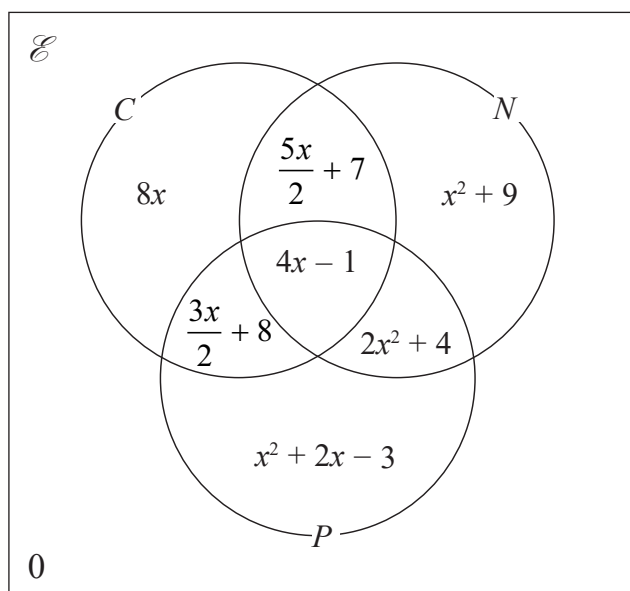


- 3 The principal of a college wishes to introduce three new evening classes.

The classes are Cake decorating (C), Needlework (N) and Photography (P).

In a survey, 160 people who attend evening classes at the college were asked which of these new evening classes they would like to attend.

Information about the results of the survey is shown in the Venn diagram. The expression in terms of x , where x is a positive integer, in each subset represents the number of people in that subset.



(a) (i) Show that $2x^2 + 9x - 68 = 0$

(ii) Hence find the value of x .

(4)

One of the people surveyed is selected at random.

Given that this person would like to attend Photography,

(b) calculate the exact value of the probability that this person would also like to attend Cake decorating but not Needlework.

(2)

.....

.....

.....

.....

.....

.....

.....

.....

.....

.....



Question 3 continued

DO NOT WRITE IN THIS AREA

DO NOT WRITE IN THIS AREA

DO NOT WRITE IN THIS AREA

Area with horizontal dotted lines for writing.

(Total for Question 3 is 6 marks)



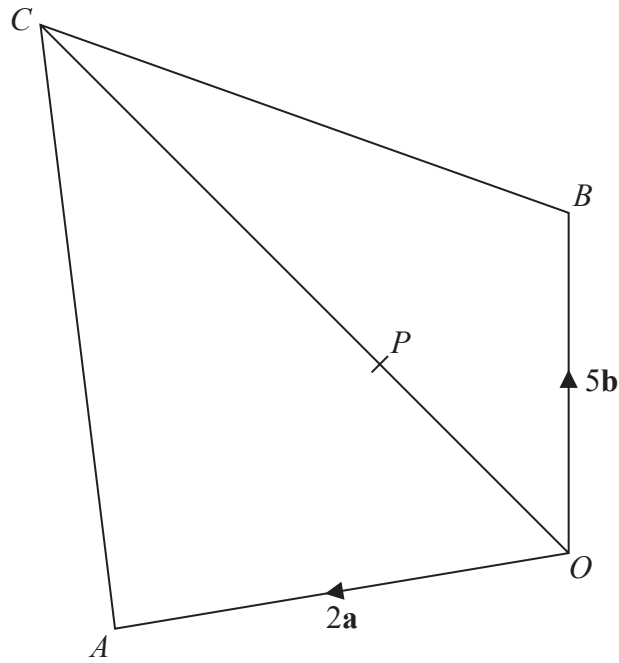


Diagram **NOT** accurately drawn

Figure 1

In Figure 1, $OACB$ is a quadrilateral in which $\vec{OA} = 2\mathbf{a}$ and $\vec{OB} = 5\mathbf{b}$

(a) Find \vec{AB} in terms of \mathbf{a} and \mathbf{b}

(1)

P is the point on OC such that $OP : PC = 1 : 4$

Given that $\vec{BC} = 6\mathbf{a} + 5\mathbf{b}$

(b) (i) prove that A, P and B are collinear,

(ii) find a value of m and a value of n such that $AP : PB = m : n$

(5)

.....

.....

.....

.....

.....

.....

.....

.....

.....

.....

DO NOT WRITE IN THIS AREA



Question 4 continued

DO NOT WRITE IN THIS AREA

DO NOT WRITE IN THIS AREA

DO NOT WRITE IN THIS AREA

Area with horizontal dotted lines for writing.

(Total for Question 4 is 6 marks)



5 Solve the simultaneous equations

$$2x^2 = 11 - 3y^2$$
$$4x - y = 5$$

Show clear algebraic working.

(6)

DO NOT WRITE IN THIS AREA

DO NOT WRITE IN THIS AREA

DO NOT WRITE IN THIS AREA



Question 5 continued

DO NOT WRITE IN THIS AREA

DO NOT WRITE IN THIS AREA

DO NOT WRITE IN THIS AREA

Area with horizontal dotted lines for writing.

(Total for Question 5 is 6 marks)



6 The curve C has equation

$$y = x^2 + 2x + \frac{4}{x} \quad x \neq 0$$

(a) Complete the table of values for C

x	-4	-2	-1	-0.5	0.5	1	2	4
y				-8.75		7	10	25

(2)

(b) On the grid opposite, plot the points from your completed table.

(1)

The curve has one turning point and this has coordinates (1, 7)

(c) Use your points to draw the graph of $y = x^2 + 2x + \frac{4}{x} \quad x \neq 0$

(1)

(d) Using your graph, find an estimate, to one decimal place, for the solution of the equation

$$x^2 + 2x + \frac{4}{x} = 0$$

(1)

(e) By drawing a suitable line on the grid estimate, to one decimal place, the solutions of the equation

$$x^2 + 2x + \frac{4}{x} = 5x + \frac{3}{2}$$

(3)

.....

.....

.....

.....

.....

.....

.....

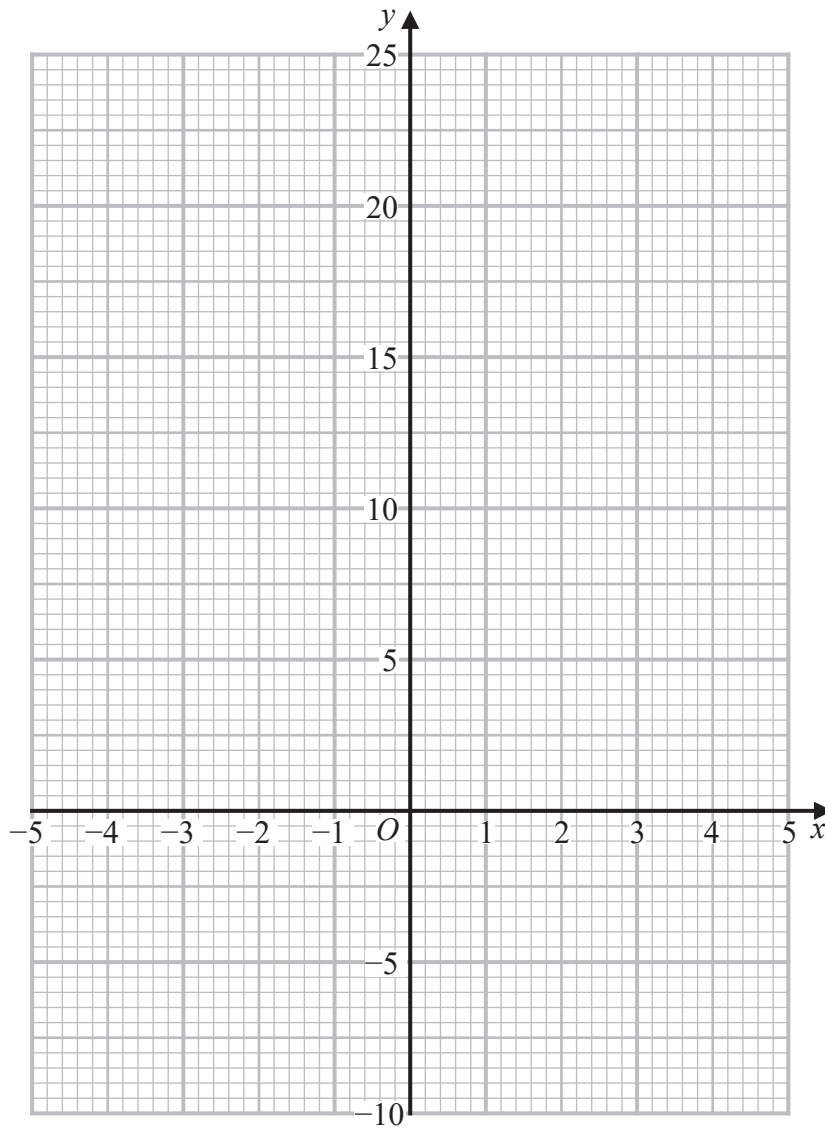
.....

.....

.....



Question 6 continued



DO NOT WRITE IN THIS AREA

DO NOT WRITE IN THIS AREA

DO NOT WRITE IN THIS AREA

.....

.....

.....

.....

.....

.....

.....

.....

.....

.....

Turn over for a spare grid if you need to redraw your graph.



Question 6 continued

Area with horizontal dotted lines for writing.

DO NOT WRITE IN THIS AREA

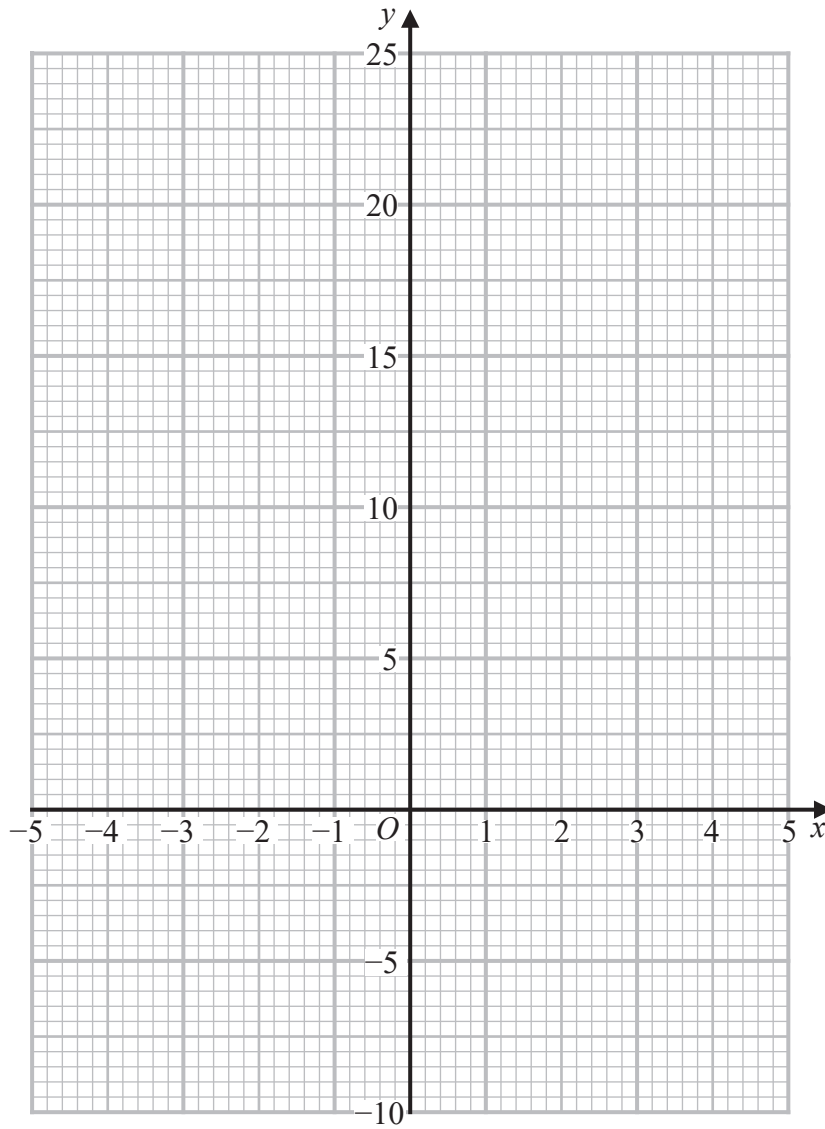
DO NOT WRITE IN THIS AREA

DO NOT WRITE IN THIS AREA



Question 6 continued

Only use this grid if you need to redraw your graph.



DO NOT WRITE IN THIS AREA

DO NOT WRITE IN THIS AREA

DO NOT WRITE IN THIS AREA

.....

.....

.....

.....

.....

.....

.....

.....

.....

(Total for Question 6 is 8 marks)



7 Lillian and Graham are co-owners of a small company.

Lillian has invested \$55 000 in the company.

Graham has invested \$25 000 in the company.

This year Lillian receives 20% of the profit made by the company in 2020

The rest of the profit made by the company in 2020 is shared between Lillian and Graham in the same proportions as the amounts of money they invested in the company.

(a) Show that this year Lillian receives, in total, 75% of the profit made by the company in 2020

(2)

In 2020, the company made a profit of \$2000

Lillian puts all the money that she receives from the profit made by the company in 2020 in an account that pays interest at a fixed rate of 4.8% per year.

(b) Calculate the interest she receives in one year.

(2)

Graham goes to a travel agent to change his share of the profit from dollars (\$) into pounds (£).

The table gives information about the exchange rates that are available.

Exchange rate
1 euro = \$1.20
1 euro = £ x
\$1 = £0.76

Graham has to decide whether to

(i) change his dollars into euros **and** then change the euros into pounds

or

(ii) change his dollars straight into pounds.

He calculates that if he chooses to do (i) he will receive £20 more than if he chooses to do (ii)

(c) Calculate the value of x .

(5)

.....

.....

.....

.....



Question 7 continued

DO NOT WRITE IN THIS AREA

DO NOT WRITE IN THIS AREA

DO NOT WRITE IN THIS AREA

Area with horizontal dotted lines for writing.



Question 7 continued

Handwriting practice area consisting of 25 horizontal dotted lines.

DO NOT WRITE IN THIS AREA

DO NOT WRITE IN THIS AREA

DO NOT WRITE IN THIS AREA



Question 7 continued

DO NOT WRITE IN THIS AREA

DO NOT WRITE IN THIS AREA

DO NOT WRITE IN THIS AREA

Area with horizontal dotted lines for writing.

(Total for Question 7 is 9 marks)



8 There are 45 young people in a youth club.

The table below gives information about the heights of these young people.

Height (h cm)	Frequency
$140 < h \leq 150$	5
$150 < h \leq 155$	8
$155 < h \leq 160$	11
$160 < h \leq 165$	6
$165 < h \leq 170$	12
$170 < h \leq 190$	3

- (a) Find the class interval that contains the median. (1)
- (b) Calculate an estimate of the mean height, in cm to one decimal place, of these young people. (4)

One of the young people is selected at random.

The incomplete probability tree diagram on the opposite page gives information about the eye colour and the hair colour of this young person.

- (c) Complete the probability tree diagram. (1)

Given that, for these young people, hair colour is independent of height

- (d) calculate the probability that the young person selected has fair hair and a height of more than 160 cm. (3)

.....

.....

.....

.....

.....

.....

.....

.....

.....

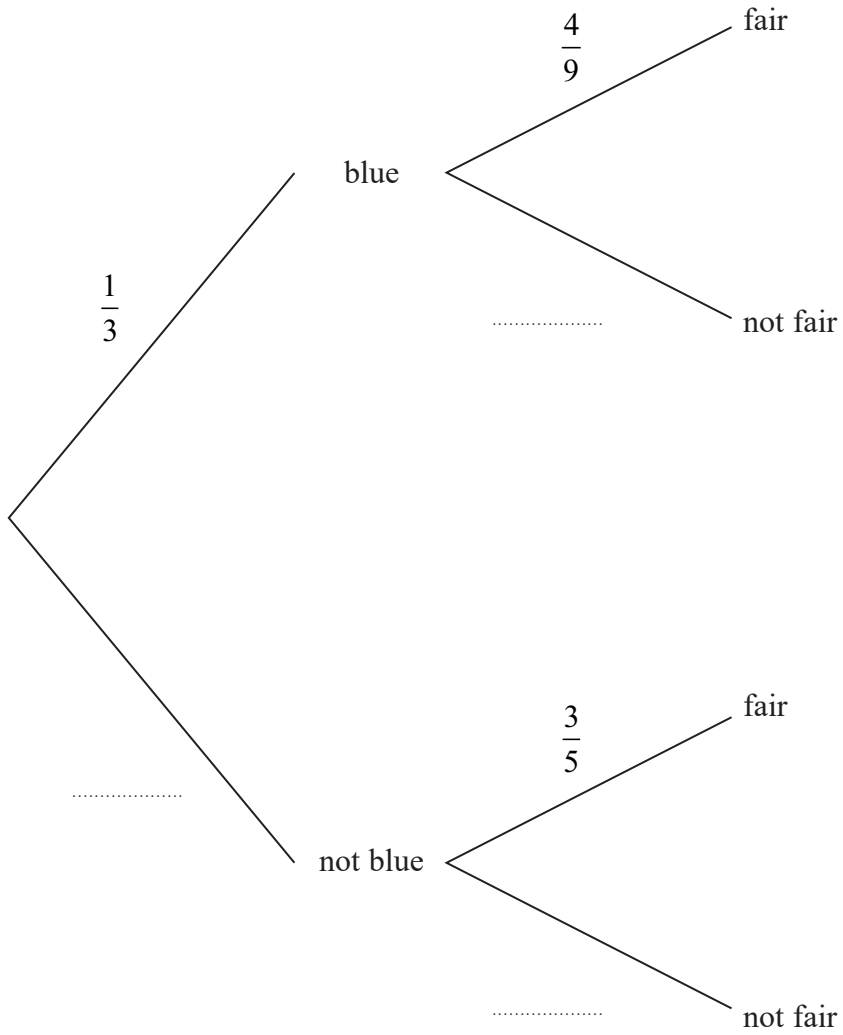
.....



Question 8 continued

Eye colour

Hair colour



DO NOT WRITE IN THIS AREA

DO NOT WRITE IN THIS AREA

DO NOT WRITE IN THIS AREA

.....

.....

.....

.....

.....

.....

.....

.....

.....

.....



Question 8 continued

Area with horizontal dotted lines for writing.

DO NOT WRITE IN THIS AREA

DO NOT WRITE IN THIS AREA

DO NOT WRITE IN THIS AREA



Question 8 continued

DO NOT WRITE IN THIS AREA

DO NOT WRITE IN THIS AREA

DO NOT WRITE IN THIS AREA

Area with horizontal dotted lines for writing.

(Total for Question 8 is 9 marks)



9 The grid opposite shows triangle A .

Triangle A is transformed to triangle B by a reflection in the line with equation $x = 1$

(a) On the grid, draw and label triangle B . (2)

Triangle B is transformed to triangle C under the translation $\begin{pmatrix} 7 \\ -3 \end{pmatrix}$

(b) On the grid, draw and label triangle C . (2)

Triangle C is transformed to triangle D under the transformation with matrix \mathbf{M} where

$$\mathbf{M} = \begin{pmatrix} 2 & 0 \\ 0 & -2 \end{pmatrix}$$

(c) On the grid, draw and label triangle D . (3)

(d) Describe fully the **single** transformation that maps triangle A onto triangle D . (3)

.....

.....

.....

.....

.....

.....

.....

.....

.....

.....

.....

.....

.....

.....

.....

.....

.....

.....

.....

.....

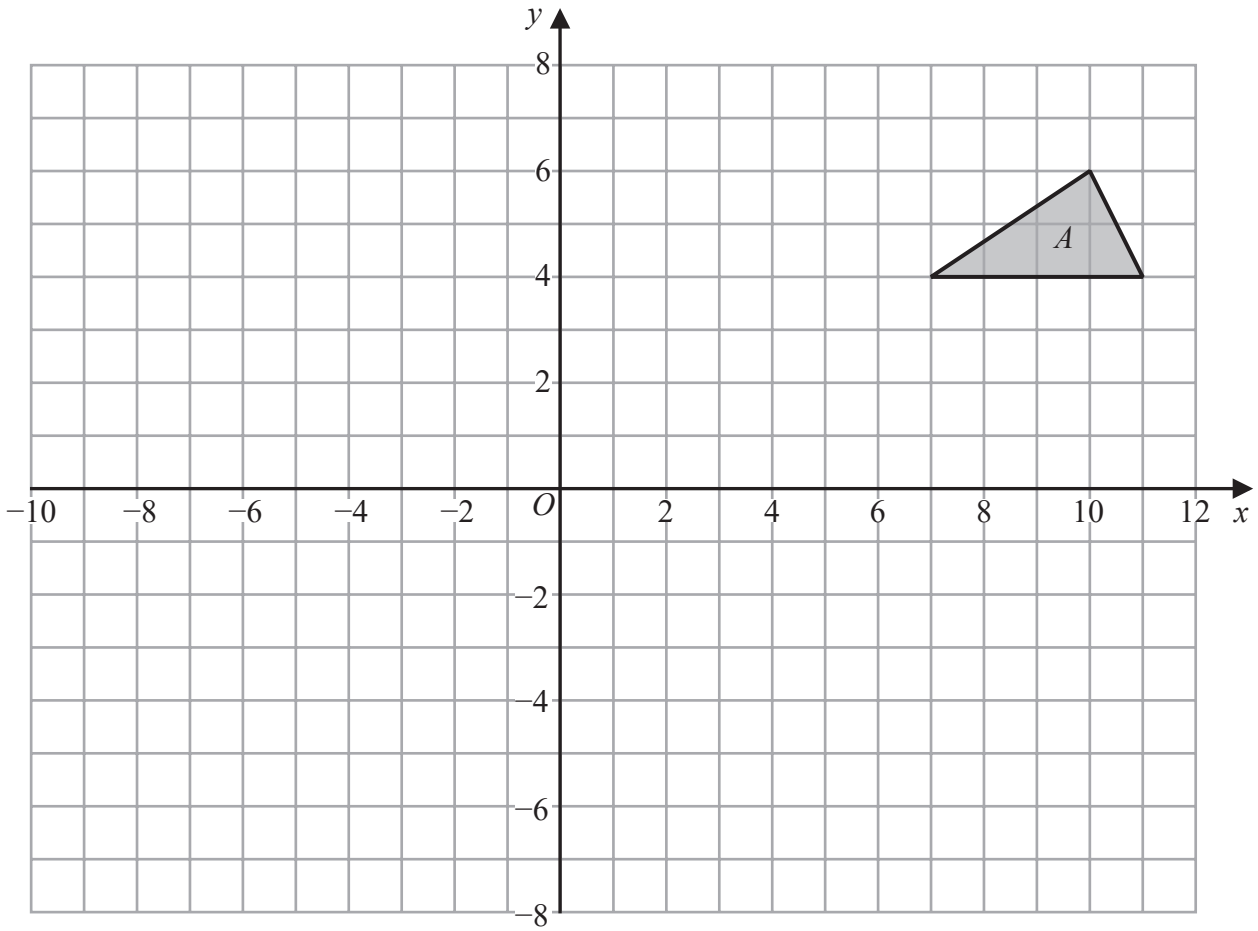
.....

.....

.....



Question 9 continued



DO NOT WRITE IN THIS AREA

DO NOT WRITE IN THIS AREA

DO NOT WRITE IN THIS AREA

.....

.....

.....

.....

.....

.....

.....

.....

.....

.....

.....

Turn over for a spare grid if you need to redraw your triangles.



Question 9 continued

Handwriting practice area with 25 horizontal dotted lines.

DO NOT WRITE IN THIS AREA

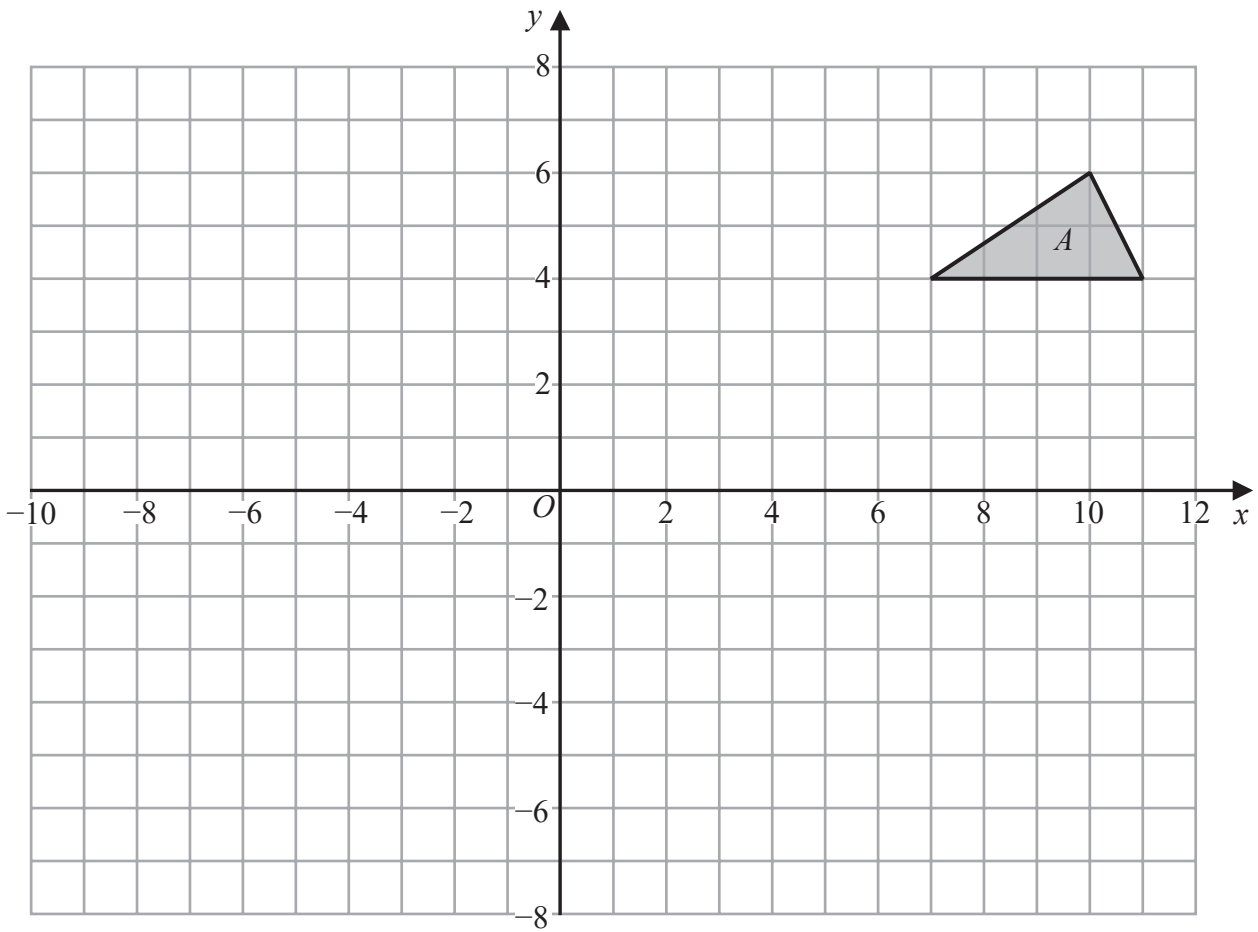
DO NOT WRITE IN THIS AREA

DO NOT WRITE IN THIS AREA



Question 9 continued

Only use this grid if you need to redraw your triangles.



DO NOT WRITE IN THIS AREA

DO NOT WRITE IN THIS AREA

DO NOT WRITE IN THIS AREA

.....

.....

.....

.....

.....

.....

.....

.....

.....

.....

.....

(Total for Question 9 is 10 marks)



Diagram **NOT** accurately drawn

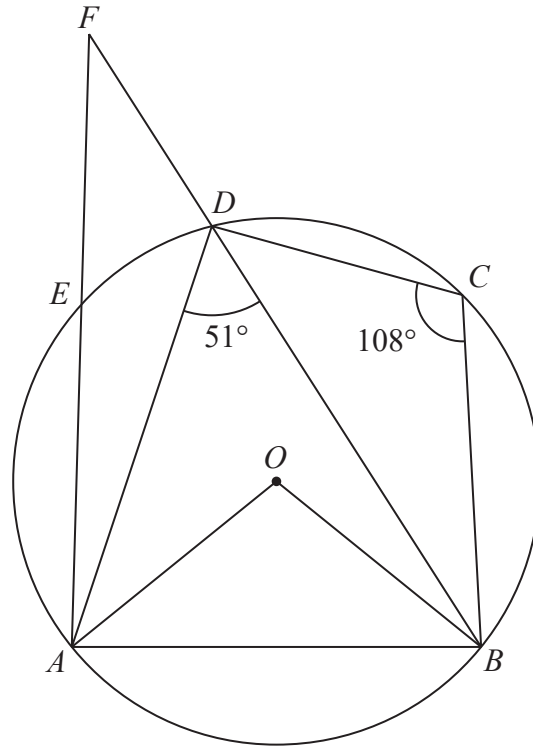


Figure 2

Figure 2 shows the circle $ABCDE$ with centre O .

The chords AE and BD intersect outside the circle at the point F .

$$\angle BCD = 108^\circ \quad \angle ADB = 51^\circ$$

- (a) Giving your reasons, show that $\angle OBD = 18^\circ$ (5)

Given that $AE = 4.9$ cm, $EF = 3.5$ cm and $DF = 3.0$ cm,

- (b) calculate the area, in cm^2 to 3 significant figures, of $\triangle ABF$. (5)

.....

.....

.....

.....

$$\left[\begin{array}{l} \text{Sine Rule } \frac{a}{\sin A} = \frac{b}{\sin B} = \frac{c}{\sin C} \\ \text{Area of triangle} = \frac{1}{2} ab \sin C \end{array} \right]$$



DO NOT WRITE IN THIS AREA

DO NOT WRITE IN THIS AREA

DO NOT WRITE IN THIS AREA

Question 10 continued

DO NOT WRITE IN THIS AREA

DO NOT WRITE IN THIS AREA

DO NOT WRITE IN THIS AREA

Area with horizontal dotted lines for writing.



Question 10 continued

Area for writing the answer to Question 10, consisting of multiple horizontal dotted lines.

DO NOT WRITE IN THIS AREA

DO NOT WRITE IN THIS AREA

DO NOT WRITE IN THIS AREA



Question 10 continued

DO NOT WRITE IN THIS AREA

DO NOT WRITE IN THIS AREA

DO NOT WRITE IN THIS AREA

Area with horizontal dotted lines for writing.

(Total for Question 10 is 10 marks)



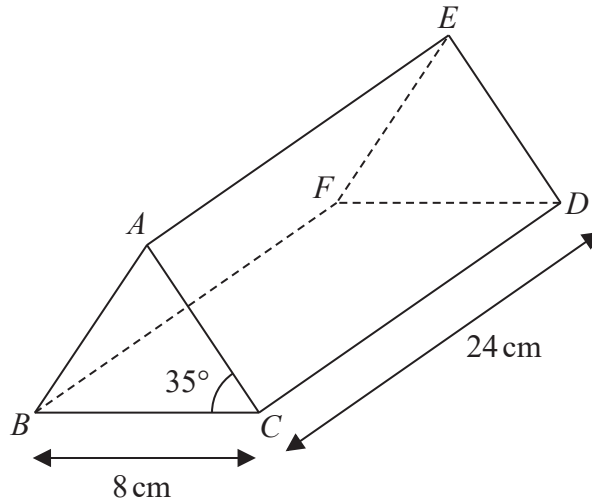


Diagram NOT accurately drawn

Figure 3

Figure 3 shows a solid right triangular prism $ABCDEF$.

A cross section ABC of the prism is an isosceles triangle in which $AB = AC$.

$$\angle ACB = 35^\circ \quad CB = 8 \text{ cm} \quad CD = 24 \text{ cm}$$

(a) Calculate the total surface area, in cm^2 to 3 significant figures, of the prism.

(5)

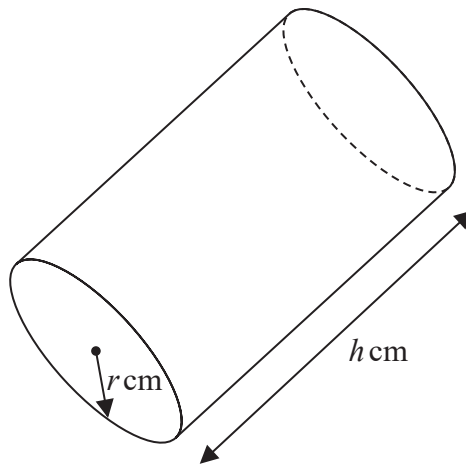


Diagram NOT accurately drawn

Figure 4

Figure 4 shows a solid right circular cylinder with radius r cm and length h cm.

The total surface area of the cylinder is $(224 + 60\sqrt{3})\pi \text{ cm}^2$

Given that $r = 3\sqrt{3} + 2$

(b) find the exact value of h .

Show your working clearly and give your answer in the form $a\sqrt{27}$ where a is an integer.

(6)



Question 11 continued

DO NOT WRITE IN THIS AREA

DO NOT WRITE IN THIS AREA

DO NOT WRITE IN THIS AREA

$$\left[\begin{array}{l} \text{Area of triangle} = \frac{1}{2}ab \sin C \\ \text{Curved surface area of cylinder} = 2\pi rh \end{array} \right]$$



Question 11 continued

DO NOT WRITE IN THIS AREA

DO NOT WRITE IN THIS AREA

DO NOT WRITE IN THIS AREA

Area with horizontal dotted lines for writing.

(Total for Question 11 is 11 marks)



P 6 6 0 0 9 A 0 3 5 4 0

12 The function f is defined by

$$f(x) = 4 - \frac{7}{x+3}$$

(a) Write down the value of x that must be excluded from any domain of function f (1)

(b) Find $f(-1)$ (1)

The function g is defined as

$$g : x \mapsto 2x^2 + 4x - 1 \text{ where } x \geq -1$$

Given that $fg^{-1}(x) = 1.2$

(c) find the value of x (7)

The function h is defined as

$$h : x \mapsto x + 2 \text{ for all values of } x \geq -3$$

Given that the function m is such that $m(x) = gh(x) + 3$

(d) express $m(x)$ in the form $a(x + b)^2$ where a and b are integers. (4)

(e) Find the domain of m^{-1} (2)

.....

.....

.....

.....

.....

.....

.....

.....

.....

.....

.....

.....

.....

.....

.....

.....

.....

.....

.....

.....

.....

.....

.....



Question 12 continued

DO NOT WRITE IN THIS AREA

DO NOT WRITE IN THIS AREA

DO NOT WRITE IN THIS AREA

Area with horizontal dotted lines for writing.



Question 12 continued

DO NOT WRITE IN THIS AREA

DO NOT WRITE IN THIS AREA

DO NOT WRITE IN THIS AREA

Area with horizontal dotted lines for writing.



